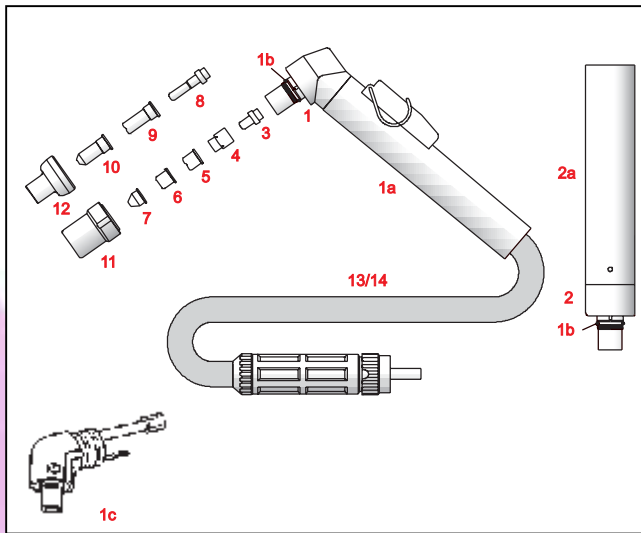
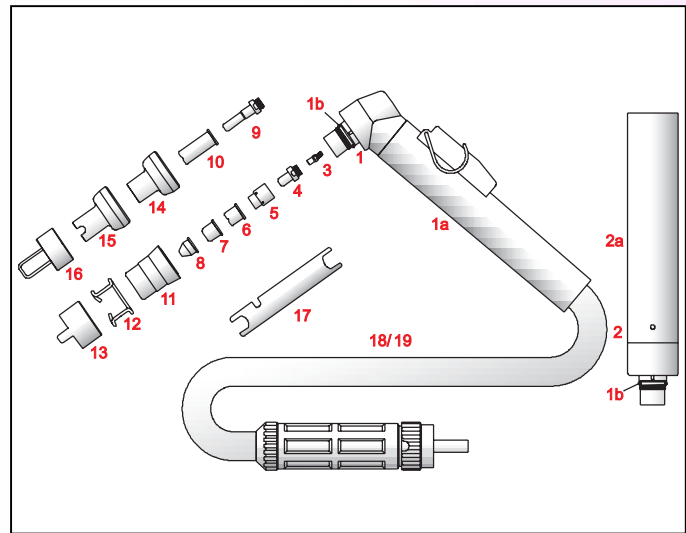


# PLASMA WELDING TORCHES AND SPARE PARTS

## Type CEBORA P 50



## Type CEBORA P 70



| Rif. | Code             | Gar  | Description                                |
|------|------------------|------|--|
|      | <b>107040453</b> | 0709 | Manual torch 6 m - coupling 1/8            |
|      | <b>107040530</b> | 0709 | Manual torch 6 m - centralized coupling    |
|      | <b>110000635</b> | 0709 | Manual torch 12 m - coupling 1/8           |
|      | <b>107190186</b> | 0709 | Manual torch 12 m - centralized coupling   |
|      | <b>107040431</b> | 0709 | Automatic torch 6 m - coupling 1/8         |
|      | <b>107040535</b> | 0709 | Automatic torch 6 m - centralized coupling |

| Rif. | Code             | Gar  | Description                                 |
|------|------------------|------|---|
|      | <b>107040705</b> | 0709 | Manual torch 6 m - coupling 1/8             |
|      | <b>107040638</b> | 0709 | Manual torch 6 m centralized coupling       |
|      | <b>110000824</b> | 0709 | Manual torch 12 m - centralized coupling    |
|      | <b>110000825</b> | 0709 | Automatic torch 6 m - coupling 1/8          |
|      | <b>107160020</b> | 0709 | Automatic torch 6 m - centralized coupling  |
|      | <b>110000826</b> | 0709 | Automatic torch 12 m - centralized coupling |
|      | <b>199972304</b> | 0709 | Manual torch 6 m (M14X1)                    |

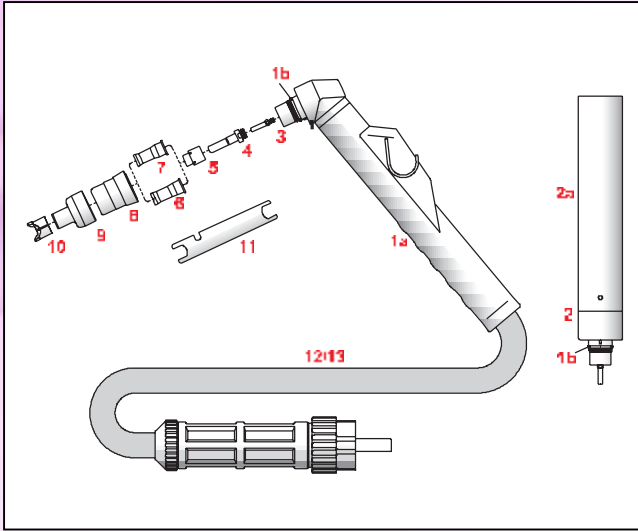
| Rif. | Code             | Gar  | Description                           |
|------|------------------|------|---------------------------------------|
| 1    | <b>107040068</b> | 0709 | Head torch P50                        |
| 1a   | <b>107040629</b> | 0709 | Spare handgrip with trigger           |
| 1b   | <b>107040897</b> | 0709 | O-ring conf. 20 pz                    |
| 2    | <b>107040546</b> | 0709 | Automatic torch body                  |
| 2a   | <b>107041361</b> | 0709 | Support for automatic torch           |
| 3    | <b>107040158</b> | 0709 | Electrode Zr                          |
| 3    | <b>107040078</b> | 0709 | Electrode Hf                          |
| 4    | <b>107040038</b> | 0709 | VESPEL® Diffuser                      |
| 5    | <b>107040592</b> | 0709 | Nozzle ø 1,0                          |
| 5    | <b>107040359</b> | 0709 | Long life nozzle ø 1,0 50A            |
| 5    | <b>110000816</b> | 0709 | Long life nozzle ø 1,1 60A            |
| 6    | <b>107040183</b> | 0709 | Flat nozzle ø 1,0 - automatic torch   |
| 7    | <b>110000636</b> | 0709 | Conical nozzle ø 1,0 (low amper)      |
| 8    | <b>107040594</b> | 0709 | Long Electrode - Zr                   |
| 8    | <b>107040593</b> | 0709 | Long Electrode - Hf                   |
| 8    | <b>110000817</b> | 0709 | Extra Long Electrode mm 42,4 - Hf     |
| 9    | <b>107040041</b> | 0709 | Long nozzle ø 1,0                     |
| 9    | <b>107040632</b> | 0709 | Long nozzle ø 1,0 long life 50A       |
| 9    | <b>107040636</b> | 0709 | Long nozzle ø 1,1 long life 60A       |
| 10   | <b>107040114</b> | 0709 | Long conical nozzle ø 1,0 (low amp.)  |
| 11   | <b>107040063</b> | 0709 | Nozzle-holder sleeve                  |
| 12   | <b>110000818</b> | 0709 | Long nozzle protection                |
| 13   | <b>110000819</b> | 0709 | Wiring harness 6 m - manual - 1/8     |
| 13   | <b>110000820</b> | 0709 | Wiring harness 12 m - manual - 1/8    |
| 14   | <b>110000821</b> | 0709 | Wiring harness 6 m - automatic - 1/8  |
| 14   | <b>110000822</b> | 0709 | Wiring harness 12 m - automatic - 1/8 |
| 14   | <b>107090003</b> | 0709 | Power cable 6 m                       |
| 14   | <b>110000823</b> | 0709 | Power cable 12 m                      |

| Rif. | Code             | Gar  | Description                               |
|------|------------------|------|---|
| 1    | <b>107040598</b> | 0709 | Torch head ø 28                           |
| 1a   | <b>107040629</b> | 0709 | Spare handgrip with trigger               |
| 1b   | <b>107040897</b> | 0709 | O-ring, package 20 pcs                    |
| 2    | <b>107040725</b> | 0709 | Automatic torch body                      |
| 2a   | <b>107041361</b> | 0709 | Support for automatic torch               |
| 3    | <b>107040893</b> | 0709 | Air diffuser                              |
| 4    | <b>107040475</b> | 0709 | Electrode Hf                              |
| 5    | <b>107040038</b> | 0709 | Diffuser VESPEL®                          |
| 6    | <b>110000827</b> | 0709 | Nozzle ø 0,9 - 35 A                       |
| 6    | <b>107040359</b> | 0709 | Long life nozzle ø 1,0 50A                |
| 6    | <b>110000816</b> | 0709 | Long life nozzle ø 1,1 60A                |
| 6    | <b>107040524</b> | 0709 | Long life nozzle ø 1,2 - 70A              |
| 6    | <b>110000829</b> | 0709 | Nozzle ø 1,2 - 70A                        |
| 7    | <b>107040183</b> | 0709 | Flat nozzle ø 1,0 automatic torch         |
| 7    | <b>110000830</b> | 0709 | Flat nozzle ø 1,2                         |
| 8    | <b>110000831</b> | 0709 | Conical nozzle ø 1,2 (low amper)          |
| 8    | <b>110000636</b> | 0709 | Conical nozzle ø 1,0 P50/70               |
| 9    | <b>107040473</b> | 0709 | Long electrode - Hf                       |
| 10   | <b>110000832</b> | 0709 | Long nozzle ø 0,9 - 35A                   |
| 10   | <b>107040632</b> | 0709 | Long nozzle ø 1,0 long life 50A           |
| 10   | <b>107040636</b> | 0709 | Long nozzle ø 1,1 long life 60A           |
| 10   | <b>107040361</b> | 0709 | Long nozzle ø 1,2 long life 70A           |
| 11   | <b>107040537</b> | 0709 | Nozzle-holder sleeve (1 package x 10 Pcs) |
| 12   | <b>107040088</b> | 0709 | Spring-type spacer                        |
| 13   | <b>107040552</b> | 0709 | 2-point spacer                            |
| 14   | <b>110000833</b> | 0709 | Extended-nozzle protection                |
| 15   | <b>110000834</b> | 0709 | Contact spacer for long nozzles           |
| 16   | <b>110000835</b> | 0709 | Spacer with spring                        |
| 16a  | <b>110001048</b> | 0709 | Spare spring - Conf. 20 pz.               |
| 17   | <b>110000836</b> | 0709 | Key for electrodes                        |
| 18   | <b>110000819</b> | 0709 | Wiring harness 6 m - manual - 1/8         |
| 18   | <b>110000820</b> | 0709 | Wiring harness 12 m - manual - 1/8        |
| 19   | <b>110000821</b> | 0709 | Wiring harness 6 m - automatic - 1/8      |
| 19   | <b>110000822</b> | 0709 | Wiring harness 12 m - automatic - 1/8     |
| 19   | <b>107090003</b> | 0709 | Power cable 6 m                           |
| 19   | <b>110000823</b> | 0709 | Power cable 12 m                          |

Cebora® is a trademark of Cebora®. Arrowweld Italia Spa is in no way connected to Cebora®. The codes and names indicated for sale are only for your ease of use.

# PLASMA WELDING TORCHES AND SPARE PARTS

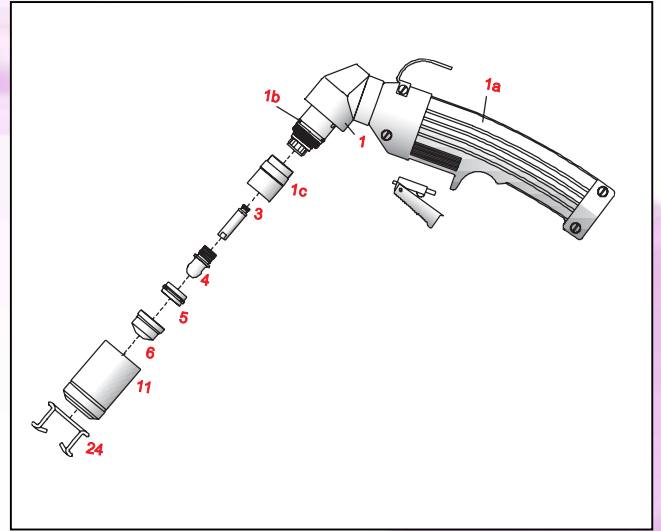
## Type CEBORA CP 90



| Rif.      | Code | Gar | Description                                 |
|-----------|------|-----|---|
| 110000842 | 0709 |     | Manual torch 6 m - centralized coupling     |
| 110000843 | 0709 |     | Manual torch 12 m - centralized coupling    |
| 110000844 | 0709 |     | Automatic torch 6 m - centralized coupling  |
| 110000845 | 0709 |     | Automatic torch 12 m - centralized coupling |

| Rif. | Code      | Gar  | Description                           |
|------|-----------|------|---------------------------------------|
| 1    | 110000382 | 0709 | Manual Torch head                     |
| 1a   | 107040629 | 0709 | Spare handgrip with trigger           |
| 1b   | 107040897 | 0709 | O-ring, package 20 pcs                |
| 2    | 110000637 | 0709 | Automatic torch body                  |
| 2a   | 107041361 | 0709 | Support for automatic torch           |
| 3    | 110000846 | 0709 | Diffuser Inox                         |
| 4    | 107040473 | 0709 | Long electrode - Hf                   |
| 5    | 107040038 | 0709 | VESPEL® Diffuser                      |
| 6    | 107041447 | 0709 | Nozzle ø 1,0 long life 20-50A         |
| 7    | 107041171 | 0709 | Nozzle ø 1,2 long life 50-70A         |
| 7    | 107041172 | 0709 | Nozzle ø 1,3 long life 70-90A         |
| 8    | 107090042 | 0709 | Nozzle-holder sleeve                  |
| 9    | 107041445 | 0709 | Protection manual cut                 |
| 10   | 110000033 | 0709 | Manual spacer contact-cutting         |
| 11   | 110000836 | 0709 | Key for electrodes                    |
| 12   | 110000848 | 0709 | Wiring harness 6 m - manual - 1/8     |
| 12   | 110000849 | 0709 | Wiring harness 12 m - manual - 1/8    |
| 13   | 110000850 | 0709 | Wiring harness 6 m - automatic - 1/8  |
| 13   | 110000851 | 0709 | Wiring harness 12 m - automatic - 1/8 |

## Type CEBORA P 150



| Rif.      | Code | Gar | Description                                 |
|-----------|------|-----|---|
| 107040140 | 0709 |     | Manual torch 6 m - coupling 1/8             |
| 107040708 | 0709 |     | Manual torch 6 m - centralized coupling     |
| 110000445 | 0709 |     | Manual torch 12 m - centralized coupling    |
| 107040141 | 0709 |     | Automatic torch 6 m - coupling 1/8          |
| 107040601 | 0709 |     | Automatic torch 6 m - centralized coupling  |
| 110000852 | 0709 |     | Automatic torch 12 m - centralized coupling |

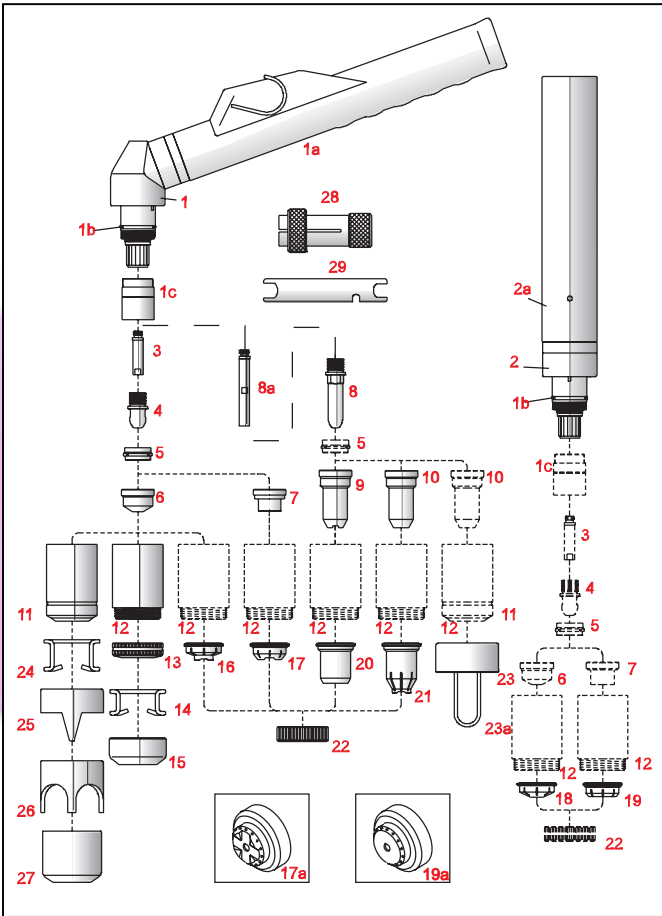
| Rif. | Code      | Gar  | Description                         |
|------|-----------|------|-------------------------------------|
| 1a   | 110000911 | 0709 | Anatomic handgrip ø 24 with trigger |

CEBORA SPARE PARTS P 150 you see following page

Cebora® is a trademark of Cebora®. Arroweld Italia Spa is in no way connected to Cebora®. The codes and names indicated for sale are only for your ease of use.

# PLASMA WELDING TORCHES AND SPARE PARTS

## Type CEBORA P 150 CP 160



## Type CEBORA CP 160

| Rif. | Code             | Gar  | Description                                 |
|------|------------------|------|---|
|      | <b>110000638</b> | 0709 | Manual torch 6 m - centralized coupling     |
|      | <b>110000639</b> | 0709 | Manual torch 12 m - centralized coupling    |
|      | <b>110000640</b> | 0709 | Automatic torch 6 m - centralized coupling  |
|      | <b>110000641</b> | 0709 | Automatic torch 12 m - centralized coupling |

| Rif.       | Code             | Gar  | Description  |
|------------|------------------|------|--|
| <b>1</b>   | <b>107040142</b> | 0709 | Manual Torch head  |
| <b>1a</b>  | <b>107040629</b> | 0709 | Spare handgrip with trigger                                |
| <b>1b</b>  | <b>107040704</b> | 0709 | O-Ring (20 pcs)  |
| <b>1c</b>  | <b>107041463</b> | 0709 | Front isolator VESPEL®                                     |
| <b>2</b>   | <b>107040143</b> | 0709 | Automatic torch body                                       |
| <b>2a</b>  | <b>107041361</b> | 0709 | Support for automatic torch                                |
| <b>3</b>   | <b>107040145</b> | 0709 | Air diffuser   |
| <b>4</b>   | <b>107040249</b> | 0709 | Electrode Hf   |
| <b>5</b>   | <b>107040147</b> | 0709 | Diffuser VESPEL®   |
| <b>6</b>   | <b>107040148</b> | 0709 | Nozzle $\varnothing$ 1,1                                   |
|            | <b>107040149</b> | 0709 | Nozzle $\varnothing$ 1,35                                  |
|            | <b>107040150</b> | 0709 | Nozzle $\varnothing$ 1,6                                   |
|            | <b>107040151</b> | 0709 | Nozzle $\varnothing$ 1,8                                   |
|            | <b>107040152</b> | 0709 | Nozzle for gouging $\varnothing$ 3,0                       |
|            | <b>110000853</b> | 0709 | Nozzle $\varnothing$ 1,35 - long life                      |
|            | <b>110000854</b> | 0709 | Nozzle $\varnothing$ 1,6 - long life                       |
|            | <b>110000855</b> | 0709 | Nozzle $\varnothing$ 1,8 - long life                       |
| <b>7</b>   | <b>107040366</b> | 0709 | Nozzle for contact $\varnothing$ 1,35                      |
|            | <b>107040367</b> | 0709 | Nozzle for contact $\varnothing$ 1,6 0                     |
|            | <b>107040368</b> | 0709 | Nozzle for contact $\varnothing$ 1,8 0                     |
| <b>8</b>   | <b>107040363</b> | 0709 | Long electrode - Hf  |
| <b>8a</b>  | <b>110000214</b> | 0709 | Long diffuser  |
| <b>9</b>   | <b>107090019</b> | 0709 | Long nozzle for contact                                    |
| <b>10</b>  | <b>110000642</b> | 0709 | Long nozzle for contact $\varnothing$ 1,35 - 90A           |
|            | <b>107040364</b> | 0709 | Long nozzle for contact $\varnothing$ 1,6 - 120A           |
|            | <b>107090013</b> | 0709 | Long nozzle for contact $\varnothing$ 1,8 - 150A           |
| <b>11</b>  | <b>107040153</b> | 0709 | Nozzle-holder sleeve                                       |
| <b>12</b>  | <b>107040255</b> | 0709 | Nozzle-holder sleeve for contact - long life               |
|            | <b>110000856</b> | 0709 | Nozzle-holder sleeve for contact - gun plug nut in VESPEL® |
| <b>13</b>  | <b>110000857</b> | 0709 | Spring-holder protection ring                              |
| <b>14</b>  | <b>110000858</b> | 0709 | Spring-type spacer   |
| <b>15</b>  | <b>110000859</b> | 0709 | Spacer for gouging   |
| <b>16</b>  | <b>107041274</b> | 0709 | Spacer Contact-cutting                                     |
| <b>17</b>  | <b>110000860</b> | 0709 | Manual spacer contact-cutting                              |
| <b>17a</b> | <b>107040620</b> | 0709 | Branch spacer (Manual contact-cutting)                     |
| <b>18</b>  | <b>110000861</b> | 0709 | Automatic torch contact protection                         |
| <b>19</b>  | <b>107041454</b> | 0709 | Automatic torch protection nozzle for contact              |
| <b>19a</b> | <b>107041455</b> | 0709 | Branch spacer (Automatic contact-cutting )                 |
| <b>20</b>  | <b>110000862</b> | 0709 | protection long nozzle manual cut 50A                      |
| <b>21</b>  | <b>110000863</b> | 0709 | Spacer Contact-cutting long nozzle                         |
| <b>22</b>  | <b>107041275</b> | 0709 | Locking ring   |
| <b>23</b>  | <b>110000864</b> | 0709 | Spacer with spring   |
| <b>23a</b> | <b>110000865</b> | 0709 | Spare spring - Conf. 20pz.                                 |
| <b>24</b>  | <b>107040154</b> | 0709 | Spring-type spacer   |
| <b>25</b>  | <b>107040184</b> | 0709 | 2-point spacer   |
| <b>26</b>  | <b>107040186</b> | 0709 | Crown-type spacer  |
| <b>27</b>  | <b>107040365</b> | 0709 | Protection for gouging                                     |
| <b>28</b>  | <b>107381564</b> | 0709 | Extractor for diffuser                                     |
| <b>29</b>  | <b>110000836</b> | 0709 | Key for electrodes   |
|            | <b>199971674</b> | 0709 | Wiring harness 6 m - manual - 1/8                          |
|            | <b>110000867</b> | 0709 | Wiring harness 12 m - manual - 1/8                         |
|            | <b>110000868</b> | 0709 | Wiring harness 6 m - automatic - 1/8                       |
|            | <b>110000869</b> | 0709 | Wiring harness 12 m - automatic - 1/8                      |
|            | <b>107090001</b> | 0709 | Power cable 6 m  |
|            | <b>110000870</b> | 0709 | Power cable 12 m   |
|            | <b>107012801</b> | 0709 | Complete centralized coupling 4 pins                       |
|            | <b>110000871</b> | 0709 | Complete centralized coupling 4 pins                       |

Cebora® is a trademark of Cebora®. Arroweld Italia Spa is in no way connected to Cebora®. The codes and names indicated for sale are only for your ease of use.