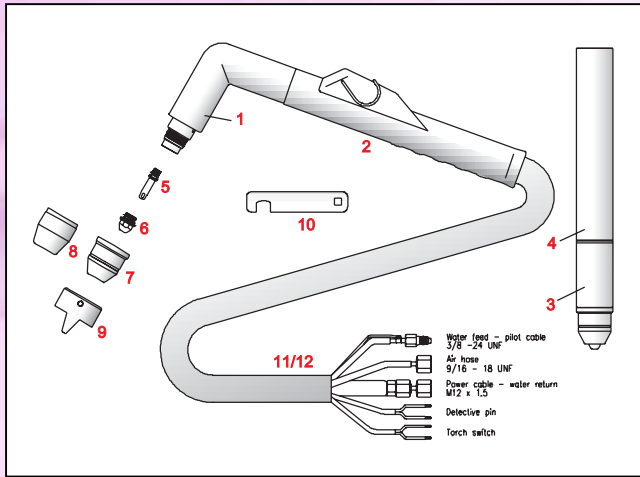
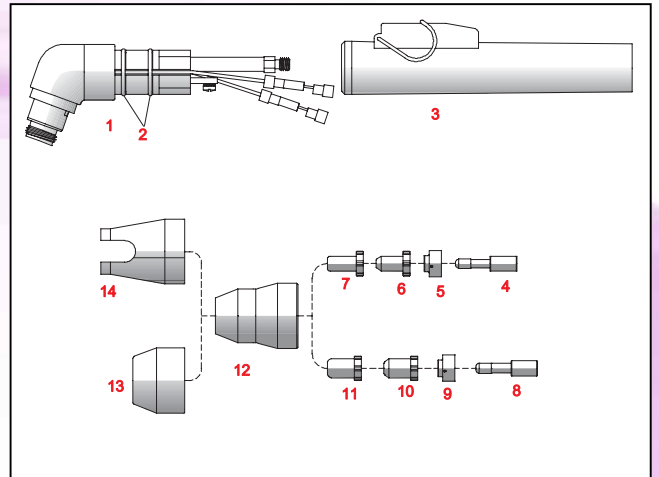


PLASMA WELDING TORCHES AND SPARE PARTS

Type OTC D 12000



Type PCHM 35



Rif.	Code	Gar	Description
	110000976	0709	Manual torch 6 m
	110000977	0709	Manual torch 12 m
	110000978	0709	Automatic torch 6 m
	110000979	0709	Automatic torch 6 m - shielded cable
	110000980	0709	Automatic torch 12 m
	110000981	0709	Automatic torch 12 m - shielded cable

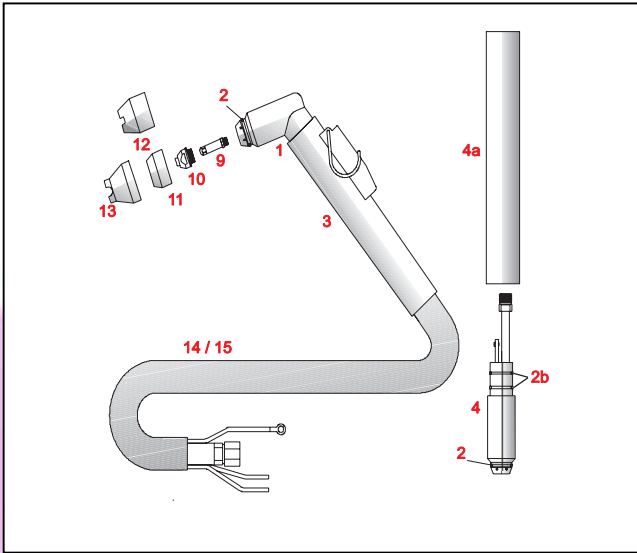
Rif.	Code	Gar	Description
1	110000982	0709	Manual Torch head with handgrip and spare parts
2	107040629	0709	Spare handgrip with trigger
3	110000983	0709	Automatic torch body with support and spare parts
4	110000926	0709	Support for automatic torch
5	107041345	0709	Woven electrode - Hf
6	110000985	0709	Nozzle \varnothing 0.8 30A
	107040614	0709	Nozzle \varnothing 1.0 50A
	107041422	0709	Nozzle \varnothing 1.3 80A
	107041346	0709	Nozzle \varnothing 1.6 120A
7	107041392	0709	Ceramic protection
	110000986	0709	Protection bushing
8	107041178	0709	Ceramic protection (only original torch)
9	107041393	0709	2-point spacer
10	110000987	0709	Key for nozzle and electrode
11	110000988	0709	Wiring harness 6 m manual torch
	110000989	0709	Wiring harness 12 m manual torch
12	110000990	0709	Wiring harness 6 m automatic torch
	110000991	0709	Wiring harness 6 m automatic torch - shielded
	110000992	0709	Wiring harness 12 m automatic torch
	110000993	0709	Wiring harness 12 m automatic torch - shielded

Rif.	Code	Gar	Description
1	110001076	0709	Manual Torch head
2	110001077	0709	O-Ring (20 pcs)
3	110001078	0709	Handgrip with trigger
4	107090006	0709	Electrode - Hf (long life)
	110001079	0709	Electrode - Hf
5	110001080	0709	Diffuser VESPEL®
6	107040755	0709	Long life nozzle (Drag)
7	110000647	0709	Nozzle 35A
	110000648	0709	Nozzle for gouging
8	107041374	0709	Electrode Hf, long life
	110000649	0709	Electrode Hf, long life - U.S.A.
9	107041375	0709	Diffuser VESPEL®
10	110001081	0709	Long life nozzle
11	107041373	0709	Long life nozzle (Stand off)
12	110001082	0709	Protection
13	110001083	0709	Protection (long life)
14	107041372	0709	Crown-type protection

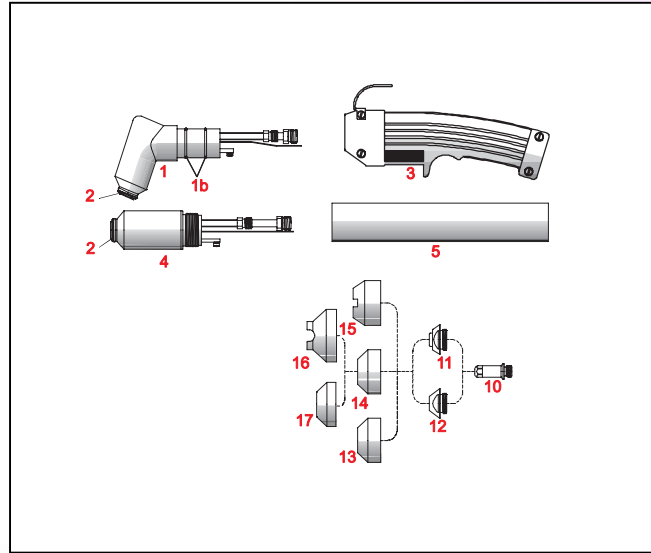
Otc® e Thermal Dynamics® sono marchi di proprietà Otc® e Thermal Dynamics®. Arroweld Italia Spais in no way connected to Otc® e Thermal Dynamics®. The codes and names indicated for sale are only for your ease of use.

PLASMA WELDING TORCHES AND SPARE PARTS

Type PCHM 51



Type PCHM 52



Rif.	Code	Gar	Description
	110001084	0709	Manual torch 25' - coupling 9/16
	110001085	0709	Manual torch 50' - coupling 9/16
	110001086	0709	Automatic torch25' - coupling 9/16
	110001087	0709	Automatic torch- coupling 9/16

Rif.	Code	Gar	Description
	110001096	0709	Manual torch 25' woven cable
	110001097	0709	Manual torch 50' woven cable
	110001098	0709	Automatic torch25' woven cable
	110001099	0709	Automatic torch50' woven cable

Rif.	Code	Gar	Description
1	110001088	0709	Manual Torch head 70° PCH 51
2	107040704	0709	O-Ring (20 pcs)
2b	110001077	0709	O-Ring (20 pcs)
3	110001078	0709	Handgrip with trigger
4	110001091	0709	Automatic torch body 180° PCM 51)
4a	110001092	0709	Support for automatic torch
9	0	0709	Electrode Hf
	110001093	0709	Electrode (4x1) - Hf
10	110000658	0709	Nozzle ø 0.96 - .038
	110000659	0709	Nozzle ø 1.1 - .043
	110001094	0709	Nozzle ø 1.2 - .047
	110000660	0709	Nozzle ø 2.0 - .078 for gouging
11	110000661	0709	Ceramic protection
	110001095	0709	Black phenolic protection
12	110000662	0709	Crown-type protection
13	110000663	0709	Metal crown-type spacer
14	110000664	0709	Other wiring harness 25' - Manual torch
	110000665	0709	Other wiring harness 50' - Manual torch
15	110000666	0709	Other wiring harness 25' - Automatic torch
	110000667	0709	Other wiring harness 25' - Automatic torch

Rif.	Code	Gar	Description
1	110001100	0709	Manual Torch head per PCH 52
1b	110001101	0709	O-Ring Manual handgrip
2	107040704	0709	O-Ring (20pz.)
3	110001102	0709	handgrip with trigger
4	110001103	0709	Automatic torch body per PCM 52
5	110000650	0709	Support for automatic torch
10	110001105	0709	Electrode Hf
	110000651	0709	Electrode Hf (nickel)
	110000652	0709	Electrode Multi Gas
11	110001106	0709	Nozzle 35A ø 0,90 - .035
	110000653	0709	Nozzle 45-55A ø 1,10 - .043
	110001107	0709	Nozzle 60-70A ø 1,20 - .047
	110001108	0709	Nozzle 80A ø 1,36 - .052
	110000654	0709	Nozzle 105A ø 1,50 - .059
12	110001109	0709	Nozzle for gouging
	110000655	0709	Nozzle for gouging 70A ø 1,99 - .078
	110000656	0709	Nozzle for gouging 105A ø 2,36 - .093
	110001110	0709	Nozzle for gouging 105A ø 2,87 - .113
13	110001111	0709	Ceramic protection
14	110001112	0709	Black phenolic protection
15	110000657	0709	Ceramic protection crown
16	110001113	0709	Metal crown-type spacer
17	110001114	0709	Metal protection
	110001115	0709	Other cable 25' - manual torch
	110001116	0709	Other cable 50' - manual torch
	110001117	0709	Other cable 25' - automatic torch
	110001118	0709	Other cable 50' - automatic torch

Thermal Dynamics® is a trademark of Thermal Dynamics®. Arroweld Italia Spais in no way connected to Thermal Dynamics®.
The codes and names indicated for sale are only for your ease of use.