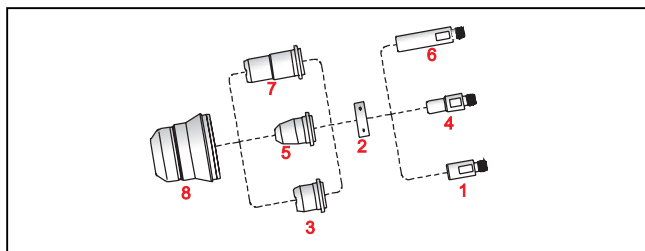


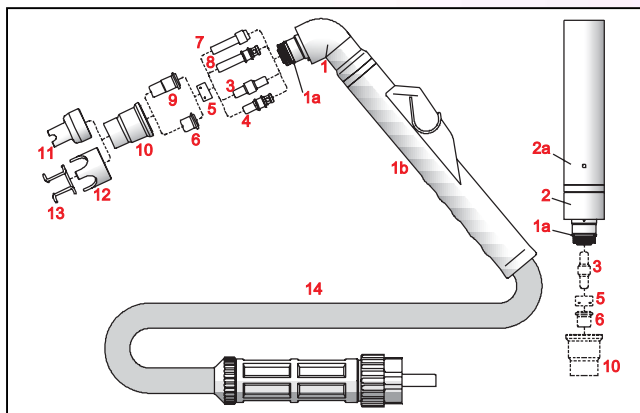
PLASMA WELDING TORCHES AND SPARE PARTS

Type Trafimet S30 S45



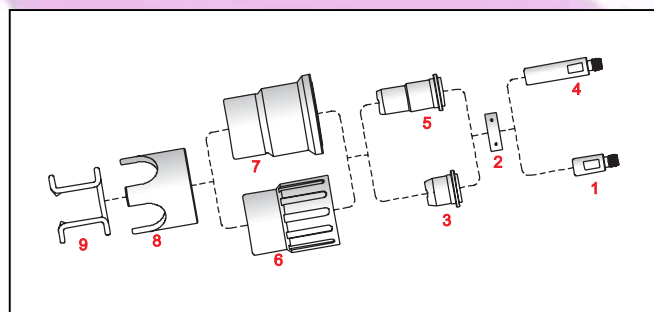
Rif.	Code	Gar	Description
1	107040465	0709	Electrode - Hf
2	107040467	0709	Diffuser - VESPEL®
3	107040202	0709	Nozzle \varnothing 1,0
4	107040885	0709	Electrode 20-30A - Hf
5	107040884	0709	Nozzle \varnothing 0,8 20-30A
6	107040533	0709	Electrode extended - Hf
7	107040534	0709	Long nozzle \varnothing 0,9
8	107041086	0709	Nozzle-holder sleeve

Type Trafimet A80 - P80



Rif.	Code	Gar	Description
	107160037	0709	Manual torch 6 m (3/8G)
	110001021	0709	Manual torch 6 m (att.centr. 4 pin)
	110001022	0709	Automatic torch 6 m (3/8G)
	110001023	0709	Automatic torch 6 m (att.centr. 4 pin)

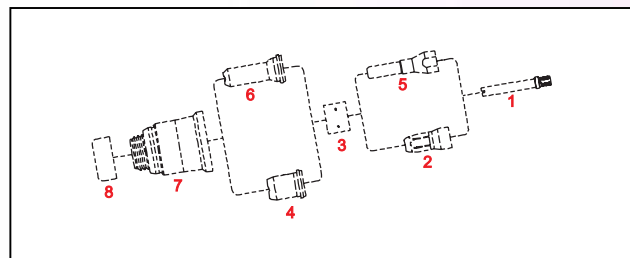
Type Trafimet A53/S54



Rif.	Code	Gar	Description
1	107040465	0709	Electrode - Hf
2	107040467	0709	Diffuser - VESPEL®
3	107040202	0709	Long nozzle \varnothing 1,0
4	107040533	0709	Electrode extended - Hf
5	107040534	0709	Long nozzle \varnothing 0,9
	110000673	0709	Long nozzle \varnothing 1,0
6	107040194	0709	Nozzle-holder sleeve per A53/A60
7	107040613	0709	Nozzle-holder sleeve per S54/A80
8	107040192	0709	Crown-type spacer
9	107040189	0709	Spring-type spacer (package 10 pcs)

Rif.	Code	Gar	Description
1	107040877	0709	Manual Torch head
1a	107040172	0709	O-ring - Conf. (20 pcs)
1b	107040629	0709	Spare handgrip with trigger
2	110001024	0709	Automatic torch body
2a	107090011	0709	Support for automatic torch
3	107041051	0709	Electrode - Hf
4	107041051	0709	Electrode - Long life - Hf
5	107040205	0709	Diffuser - VESPEL®
6	107040875	0709	Nozzle \varnothing 1.0
	107040875	0709	Nozzle \varnothing 1.1
	107040876	0709	Nozzle \varnothing 1.2
7	110001025	0709	Electrode extended Hf
8	107040211	0709	Electrode extended - Long life - Hf
9	110001026	0709	Long nozzle \varnothing 1.0
	107040203	0709	Long nozzle \varnothing 1.2
10	107040613	0709	Nozzle-holder sleeve
11	110001027	0709	Contact-cutting spacer
12	107040192	0709	Crown-type spacer
13	107040189	0709	Spring-type spacer (conf. 10 pz)
14	110001028	0709	Wiring harness 6m (3/8G - 1/4G)
			Manual torch
	110001029	0709	Wiring harness
	107040208	0709	Torch body Kit + handgrip to replace Torch body A60

Type Trafimet S74 S75

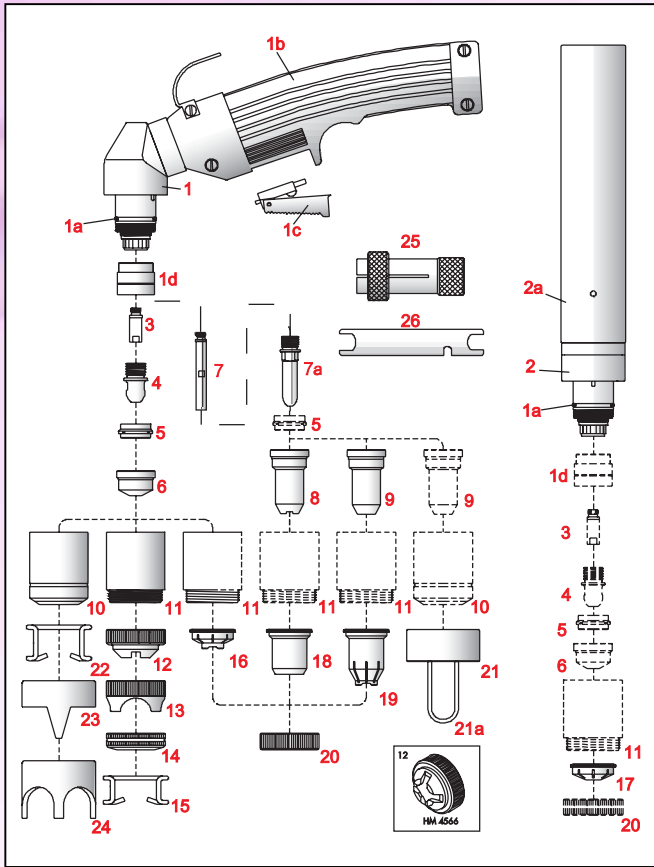


Rif.	Code	Gar	Description
1	107040896	0709	Diffuser
2	107040850	0709	Electrode - Hf
3	107040848	0709	Diffuser - VESPEL®
4	107040845	0709	Nozzle \varnothing 1,0
	107040846	0709	Nozzle \varnothing 1,2
5	107040851	0709	Electrode extended - Hf
6	107040847	0709	Long nozzle
7	107040844	0709	Nozzle-holder sleeve
8	107090012	0709	Spacer

Trafimet® is a trademark of Trafimet®. Arroweld Italia Spais in no way connected to Trafimet®. The codes and names indicated for sale are only for your ease of use.

PLASMA WELDING TORCHES AND SPARE PARTS

Type Trafimet A90



Rif.	Code	Gar	Description
107160054	0709		Manual torch 6 m - coupling M14x1
107160029	0709		Manual torch 6 m - centralized coupling
110001030	0709		Manual torch 12 m - coupling M14x1
110001031	0709		Manual torch 12 m - centralized coupling
107040599	0709		Automatic torch 6 m - coupling M14x1
110001032	0709		Automatic torch 6 m - centralized coupling
110001033	0709		Automatic torch 12 m - coupling M14x1
110001034	0709		Automatic torch 12 m - centralized coupling

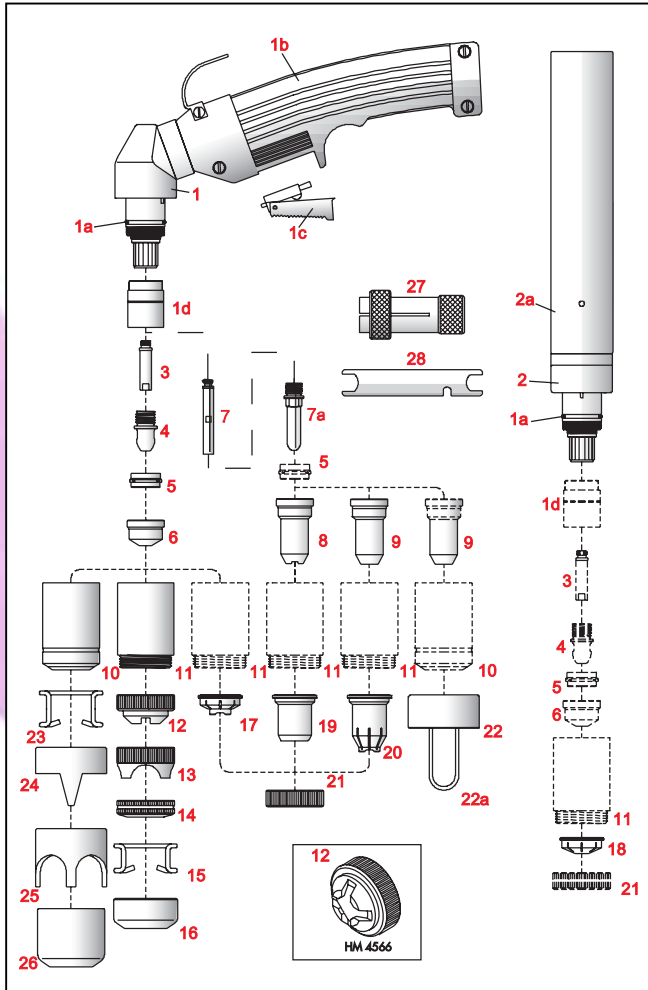
Rif.	Code	Gar	Description
1	107040209	0709	Manual Torch head - corpo centrale in VESPEL®
1a	107040125	0709	O-ring, package 20 pcs
1b	110000911	0709	Anatomic handgrip ø 24 with trigger
1c	110000912	0709	Trigger
1d	107090023	0709	Front isolator in VESPEL®
2	110001037	0709	Automatic torch body - central VESPEL®
2a	107041361	0709	Support for automatic torch
3	110000968	0709	Diffuser
4	107040122	0709	Electrode - Hf
5	107040231	0709	Diffuser - VESPEL®
6	107040197	0709	Nozzle ø 1,1
	107040198	0709	Nozzle ø 1,4
	107040199	0709	Nozzle ø 1,7
7	110001038	0709	Long diffuser
7a	110000442	0709	Long threaded electrode - Hf
8	110001039	0709	Long nozzle (for contact-cutting 50A)
9	110001040	0709	Long nozzle ø 1,4
	110001041	0709	Long nozzle ø 1,7
10	107040195	0709	Boccola, long life
11	107040700	0709	Contact-cutting bushing, long life
12	107040188	0709	Contact-cutting screen
13	107040604	0709	Contact-cutting screen 4 tip
14	110000857	0709	Spring-holder protection ring
15	110000858	0709	Spring-type spacer
16	107041274	0709	Spacer Contact-cutting
17	110000861	0709	Contact protection torch machine
18	110000862	0709	Long nozzle protection for manual cut
19	110000863	0709	Spacer Contact-cutting Long nozzle
20	107041275	0709	Locking ring
21	110000864	0709	Spacer with spring
21a	110000865	0709	Spare spring - package 20 pcs
22	107040154	0709	Spring-type spacer
23	107040184	0709	2-point spacer
24	107040186	0709	Crown-type spacer
25	107381564	0709	Extractor for diffuser
	110000836	0709	Key for electrodes
	110001050	0709	Wiring harness 6 m M14x1 - manual torch
	110001051	0709	Wiring harness 12 m M14x1 - manual torch
	110001052	0709	Wiring harness 6 m M14x1 - automatic torch
	110001053	0709	Wiring harness 12 m M14x1 - automatic torch

Trafimet® is a trademark of Trafimet®. Arrowold Italia Spais in no way connected to Trafimet®. The codes and names indicated for sale are only for your ease of use.



PLASMA WELDING TORCHES AND SPARE PARTS

Type Trafimet 140



Rif.	Code	Gar	Description
1	107040916	0709	Manual Torch head - central in VESPEL®
1a	107040125	0709	O-ring, conf 20 pz.
1b	110000911	0709	Anatomic handgrip ø 24 with trigger
1c	110000912	0709	Trigger
1d	107041463	0709	Front isolator VESPEL®
2	107040478	0709	Automatic torch body - central VESPEL®
2a	107041361	0709	Support for automatic torch
3	107040145	0709	Air diffuser
4	107040122	0709	Electrode - Hf
5	107040231	0709	Diffuser - VESPEL®
6	107040197	0709	Nozzle ø 1,1
	107040198	0709	Nozzle ø 1,4
	107040199	0709	Nozzle ø 1,7
	107040200	0709	Nozzle ø 1,9
	107040201	0709	Nozzle ø 3,0 for gouging
7	110000214	0709	Long diffuser
7a	110000442	0709	Long threaded electrode - Hf
8	110001039	0709	Long nozzle (for contact-cutting 50A)
9	110001040	0709	Long nozzle ø 1,4
	110001041	0709	Long nozzle ø 1,7
	110001063	0709	Long nozzle ø 1,9
10	107040798	0709	Nozzle-holder sleeve, long life
11	107040857	0709	Contact-cutting bushing , long life
	110001064	0709	Contact bushing, long life - VESPEL®
12	107040188	0709	Contact-cutting screen
13	107040604	0709	Contact-cutting screen 4 tip
14	110000857	0709	Spring-holder protection ring
15	110000858	0709	Spring-type spacer
16	110000859	0709	Spacer for gouging
17	107041274	0709	Spacer Contact-cutting
18	110000861	0709	Contact protection torch machine
19	107090014	0709	Long nozzle protection - Manual cut 50A
20	107040551	0709	Spacer Contact-cutting Long nozzle
21	107041275	0709	Locking ring
22	110000864	0709	Spacer with spring
22a	110000865	0709	Spare spring - packages 20 pcs
23	107040154	0709	Spring-type spacer
24	107040184	0709	2-point spacer
25	107040186	0709	Crown-type spacer
26	107040365	0709	Protection for gouging
27	107381564	0709	Extractor for diffuser
28	110000836	0709	Key for electrodes
	110001072	0709	Wiring harness 6 m M14x1 - Manual torch
	110001073	0709	Wiring harness 12 m M14x1 - Manual torch
	110001052	0709	Wiring harness 6 m M14x1 - Manual torch
	110001053	0709	Wiring harness 12 m M14x1 - Manual torch

Rif.	Code	Gar	Description
	107160038	0709	Manual torch 6 m - coupling M14x1
	110001054	0709	Manual torch 6 m - centralized coupling
	107040878	0709	Manual torch 12 m - coupling M14x1
	110001055	0709	Manual torch 12 m - centralized coupling
	107040263	0709	Automatic torch6 m - coupling M14x1
	110001056	0709	Automatic torch6 m - centralized coupling
	107040264	0709	Automatic torch12 m - coupling M14x1
	110001057	0709	Automatic torch12 m - centralized coupling

Trafimet® is a trademark of Trafimet®. Arroweld Italia Spais in no way connected to Trafimet®. The codes and names indicated for sale are only for your ease of use.